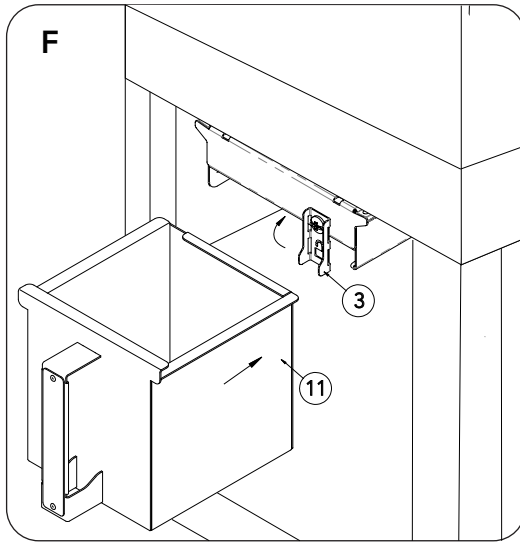


**STEP 8: (Use Image F)**

Slide Lower Bucket (#11) into drawer rails. Push it all the way back and rotate Lock (#3) in place.

The Grease Box is Fully installed, locked and ready for its first cook.



**Cleanup & Maintenance:**

It's recommended to empty grease contents after every use. Use care when opening or emptying The Grease Box as contents or the product may be HOT. We recommend using gloves when cleaning The Grease Box. After removing contents, rinse out with soap and warm water then hand dry only.

**THE GREASE BOX LLC**

Questions, comments or missing parts?

Contact us > [support@thegreasebox.com](mailto:support@thegreasebox.com)

Register your products within 30 days of purchase for warranty.

**WARNING:** ATTACHING THIS PRODUCT MAY VOID THE WARRANTY TO YOUR OUTDOOR COOKING APPARATUS. THE GREASE BOX LLC IS NOT LIABLE FOR FAULTY INSTALLATIONS, IMPROPER MAINTENANCE, ANY DAMAGES OR ISSUES RESULTING FROM THE USE OF THE GREASE BOX ON THE COOKING APPARATUS.



**WARNING:** This product can expose you to chemicals including lead, which is known to the State of California to cause cancer and birth defects or other reproductive harm. For more information, go to [www.p65warnings.ca.gov](http://www.p65warnings.ca.gov).

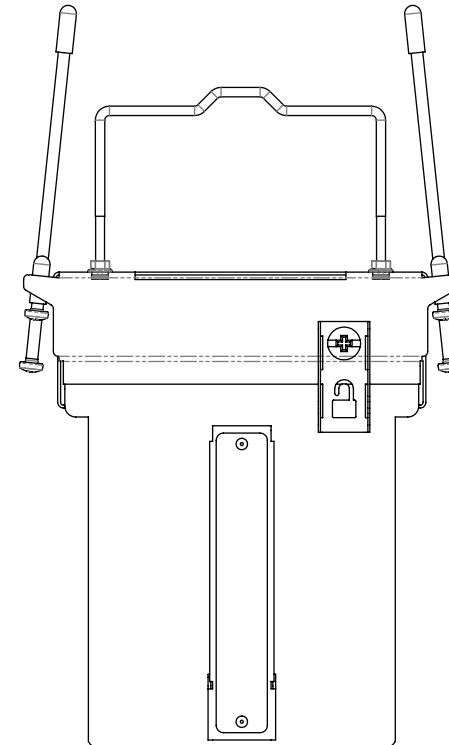
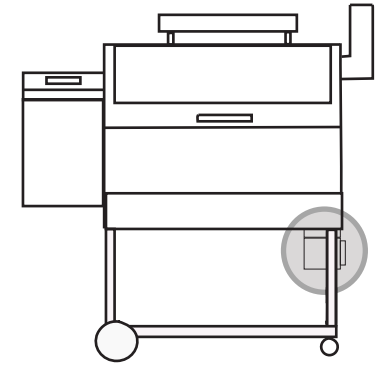
# THE GREASE BOX

PATENT NUMBER 11812895

## +PIN

Compatible with YODER 640 & 480 Standard Cart

THE GREASE BOX GX-U WITH EXTENDER "PIN" ADAPTER INSTALLATION



**Hardware Required:**

-The Grease Box GX-U  
(Sold Separately)

**Tools Recommended:**

-Screwdriver



VIDEO INSTALLATION

**STEP 1:** Confirm the fit

Visit: [thegreasebox.com/compatibility](http://thegreasebox.com/compatibility) to check the fit. This instruction manual is compatible for the **+PIN with The Grease Box GX-U (Sold Separately)** for the Yoder Standard Cart 640 & 480 grill models.

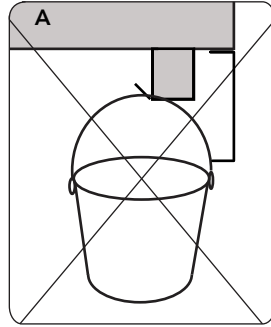


**STEP 2:**

Make sure grill is turned off & cooled.

**STEP 3: (Image A)**

Remove grease bucket. Clean grease spout and grill area.



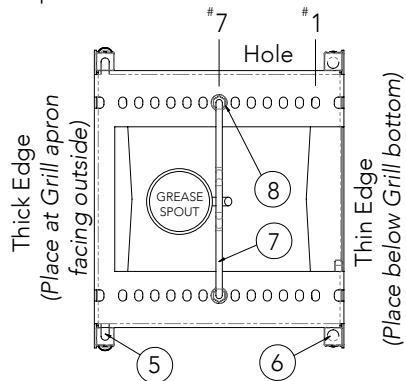
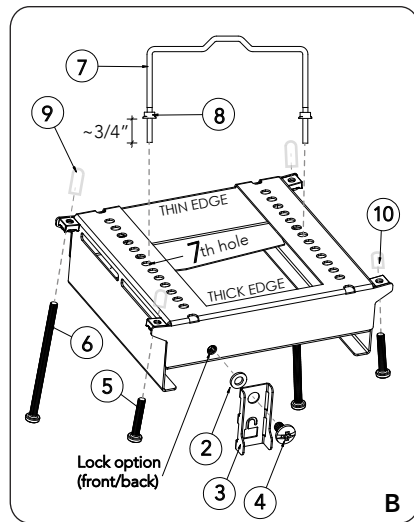
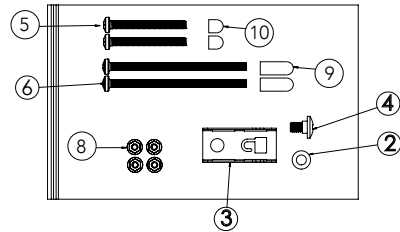
**STEP 4: (Use Image B)**

Begin building bracket: Advance Screws (#5) on Thick Edge side and Screws (#6) on Thin Edge side just past corner welds. Then, add Silicone Caps (#9 & #10) at screw ends. Cut to size if needed.

Attach lock using (#2), (#3), (#4) in order on THICK EDGE side of the bracket. Synch tight for less swivel in lock. Leave lock in upwards position.

Add Nuts (#8) to "PIN" (#7) and advance roughly 3/4" on both sides of the PIN (#7). Height of the Nuts will vary on Grill Apron & Grease spout clip.

Slide PIN (#7) into the 7th hole from the "thin edge" on the top of the bracket. Then, add Nuts (#8) on the bottom side. Do not tighten completely as you'll need to make adjustments for grill variations and for alignment with grill apron.

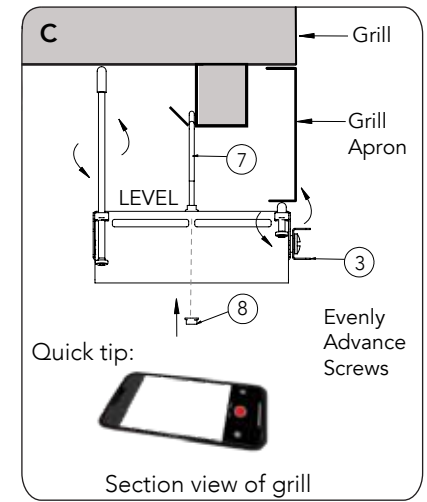


Plan view from Above Bracket

**STEP 5: (C)**

Using the Extension "PIN" (#7), hang the bracket onto grease spout clip with Lock (#3) facing outwards from grill.

Quick tip: Place your phone on camera selfie mode looking up at spout. This can help with alignment.



**STEP 6: (D)**

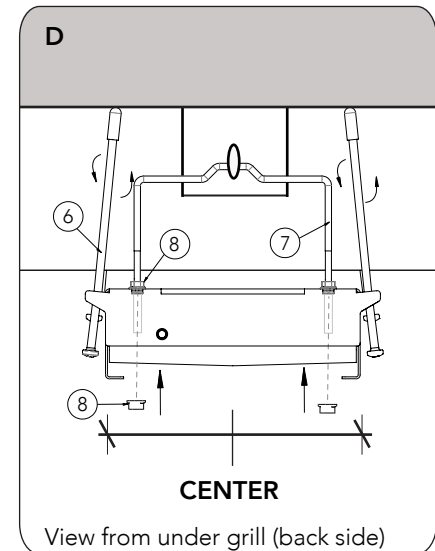
Begin EVENLY advancing screws (#6) towards the grill bottom and screws (#5) towards the grill apron with a screwdriver.

Use Level. Alternate between each screw to ensure levelness.

Do NOT over tighten screws.

Make adjustments as needed. Finish tightening screws and Nuts once level. Ensure bracket is secure and does not move. Overtightening may break the screw caps or grease spout clip.

When Bracket is level and secure, proceed to Step 7.



**STEP 7: Add a Liner (Image E)**

**Recommended to Add a SBL-1 Silicone Box Liner (#10) or a foil liner (Sold Separately)** into the Lower Bucket for cleanliness prior to grilling.

Flip to Back Page for Final Step.

