

## ONLINE EXCLUSIVE ADAPTERS:

Additional adapters and instructions are available online for custom fit for select grill models including:

### YODER

- Standard Cart Extender "PIN"  
( Allows for access to lower bucket outside of grill below apron)

### RECTEQ

- RecAdapter ( Optional for custom fit & quicker install )
- SmokeStone Bracket ( Coming soon )

*Limited Quantities Available\**

\*\* Some Traeger grills have an additional metal grill bottom panel that may interfere with installation. Check with grill manufacturer prior to install & removal of extra panel.

\*\* Yoder Standard cart drawer intereferes with The Grease Box installation.

### Cleanup & Maintenance:

It's recommended to empty grease contents after every use. Use care when opening or emptying The Grease Box as contents or the product may be HOT. We recommend using gloves when cleaning The Grease Box. After removing contents, rinse out with soap and warm water then hand dry only.

## THE GREASE BOX LLC

Questions, comments or missing parts?

Contact us > [support@thegreasebox.com](mailto:support@thegreasebox.com)

Register your products within 30 days of purchase for warranty.

**WARNING:** ATTACHING THIS PRODUCT MAY VOID THE WARRANTY TO YOUR OUTDOOR COOKING APPARATUS. THE GREASE BOX LLC IS NOT LIABLE FOR FAULTY INSTALLATIONS, IMPROPER MAINTENANCE, ANY DAMAGES OR ISSUES RESULTING FROM THE USE OF THE GREASE BOX ON THE COOKING APPARATUS.



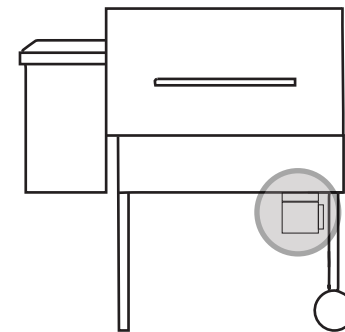
WARNING: This product can expose you to chemicals including lead, which is known to the State of California to cause cancer and birth defects or other reproductive harm. For more information, go to [www.p65warnings.ca.gov](http://www.p65warnings.ca.gov).

# THE GREASE BOX

PATENT NUMBER 11812895

## GX-U

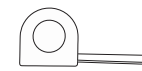
FOR WOOD PELLET GRILLS WITH AN UNDERMOUNT GREASE SPOUT



## UNIVERSAL BRACKET INSTALLATION

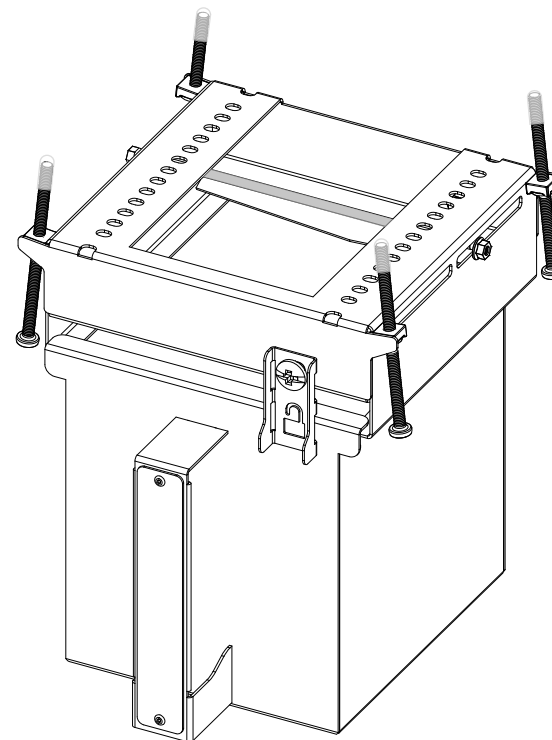
Tools Recommended:

- Screwdriver
- Tape measure



## ONLINE EXCLUSIVE ADAPTERS:

Flip to back page for more info



VIDEO INSTALLATION

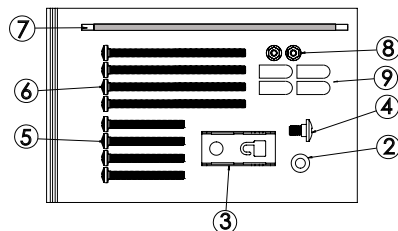
### STEP 1: Confirm the fit

- Visit: [thegreasebox.com/compatibility](http://thegreasebox.com/compatibility) to check the fit  
Some grill models need additional adaptors or require additional installation steps (Pg 4).
- Scan QR code for Video installation if preferred.
- Make sure grill is turned off & cooled.
- Remove grease bucket (Image A). Clean grill area.



### STEP 2: (Use Image B)

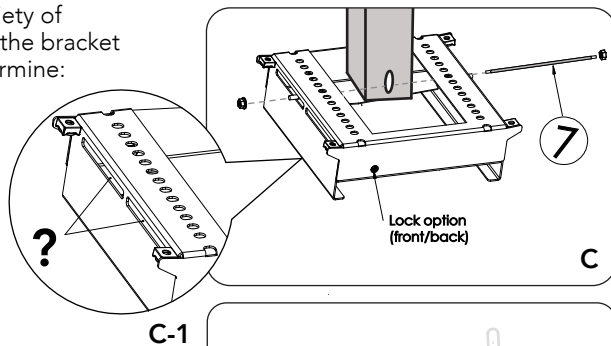
Measure distance from bottom of grill to the bottom of the grease spout clip.  
If more than 1.5", use longer screws (#6),  
If less than 2", use screws (#5).



### STEP 3: (Use Image C & D)

Bracket is reversible to fit a variety of grills. Before assembling, hold the bracket up to the grease spout to determine:

- Which side slot to fasten bolt (#7) that lines up with grease spout clip (C-1)
- Which side to place Lock (C)
- Which edge: THIN OR THICK based on grill model fit (D)



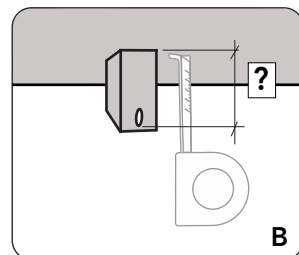
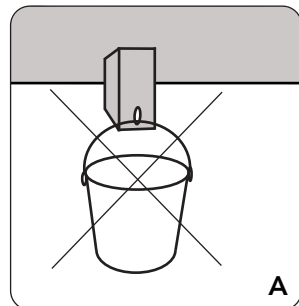
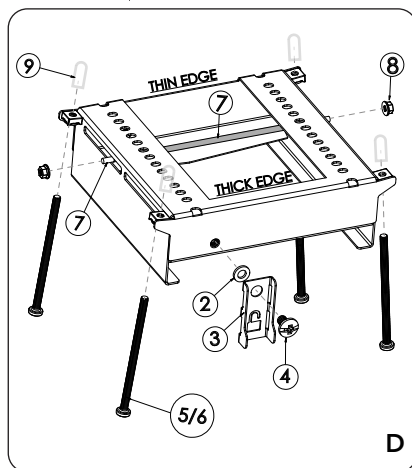
### STEP 4: (Use Image D)

Begin building bracket: Slide bolt (#7) through the selected side slot & add nuts (#8) on both ends. Allow the bolt (#7) to still move back and forth within slot.

Attach lock using (#2), (#3), (#4) in order, on preferred side of the bracket.  
Synch tight for less swivel in lock.

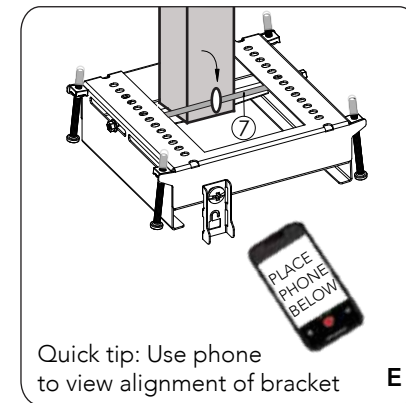
Use screws from **STEP 2**, to **EVENLY** advance 1/2" through corner nuts.

Then, add (#9) high-heat plastic screw caps to each screw end.



### STEP 5: (E)

Using bolt (#7), hang the bracket onto grease spout clip.



Quick tip: Use phone to view alignment of bracket

### STEP 6: F

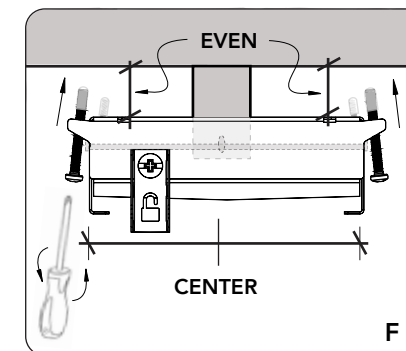
Stabilize the bracket and make sure grease spout is centered on the bolt (#7) within bracket. Begin **EVENLY** advancing screws towards grill bottom. Do **NOT** over tighten screws.

Important: Alternate tightening the X4 screws to ensure levelness to keep the screw length EVEN.

Make adjustments as needed. Finish tightening screws. Ensure the bracket is secure and does not move. Overtightening may break the screw caps or grease spout clip.

Fasten nuts (#8) on both sides of bolt (#7).

When Bracket is level and does not move, proceed to Step 7.



### FINAL STEP: (G)

Rotate lock (#3) upwards.

Slide lower bucket into drawer rails. Push it all the way back and rotate Lock (#3) down.

The Grease Box is fully installed, locked, and ready for its first cook.

Recommended: add a SBL-1 silicone box liner or foil liner into the Lower Bucket for cleanliness prior to grilling.

