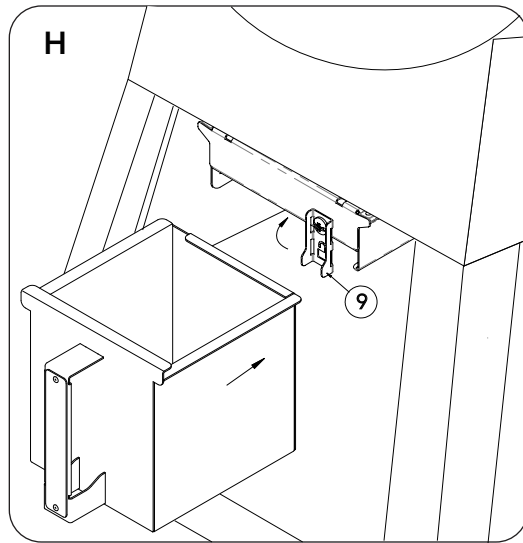


**STEP 8:** Add Lower Bucket (Image H)

Rotate lock (#9) upwards.

Slide lower bucket into drawer rails. Push it all the way back and rotate Lock (#9) down.

The Grease Box is Fully installed, locked and ready for its first cook.



**Cleanup & Maintenance:**

It's recommended to empty grease contents after every use. Use care when opening or emptying The Grease Box as contents or the product may be HOT. We recommend using gloves when cleaning The Grease Box. After removing contents, rinse out with soap and warm water then hand dry only.

**THE GREASE BOX LLC**

Questions, comments or missing parts?

Contact us > [support@thegreasebox.com](mailto:support@thegreasebox.com)

Register your products within 30 days of purchase for warranty.

**WARNING:** ATTACHING THIS PRODUCT MAY VOID THE WARRANTY TO YOUR OUTDOOR COOKING APPARATUS. THE GREASE BOX LLC IS NOT LIABLE FOR FAULTY INSTALLATIONS, IMPROPER MAINTENANCE, ANY DAMAGES OR ISSUES RESULTING FROM THE USE OF THE GREASE BOX ON THE COOKING APPARATUS.



**WARNING:** This product can expose you to chemicals including lead, which is known to the State of California to cause cancer and birth defects or other reproductive harm. For more information, go to [www.p65warnings.ca.gov](http://www.p65warnings.ca.gov).

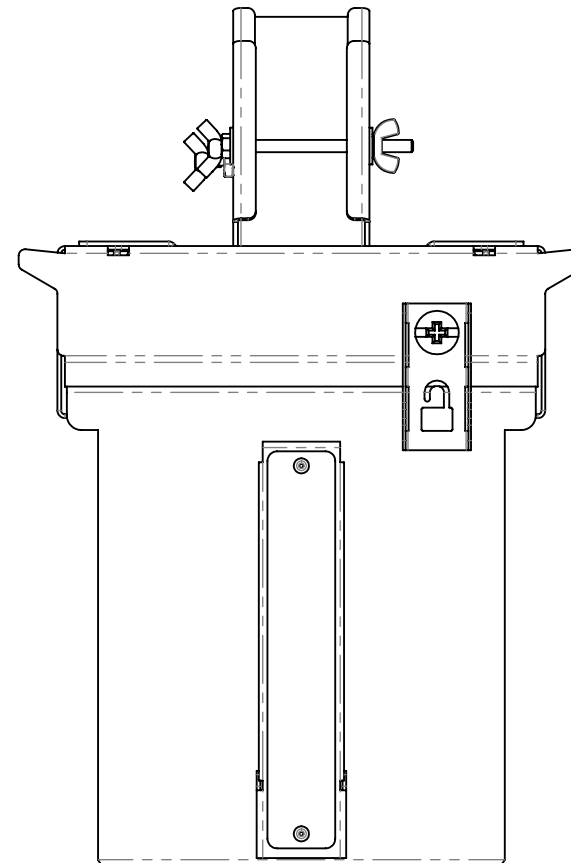
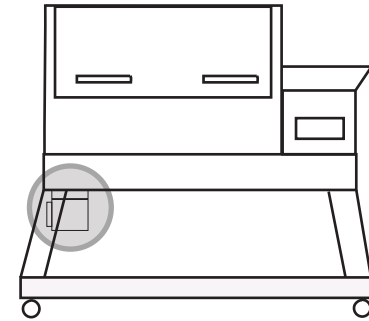
# THE GREASE BOX

PATENT NUMBER 11812895

## +Rec Adapter

For Recteq Grills with Undermount Grease Spouts

Install with The Grease Box GX-U



**Part Required:**

-The Grease Box GX-U  
(Sold Separately)

**Tool Needed:**

-Screwdriver



VIDEO INSTALLATION

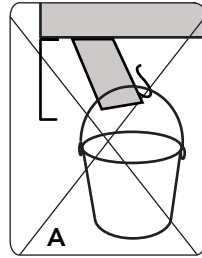
**STEP 1:** Confirm the fit

Visit: [thegreasebox.com/compatibility](http://thegreasebox.com/compatibility) to check the fit.  
 This instruction manual is for installing the **+ Rec Adapter to The Grease Box GX-U Universal Bracket** (Sold Separately) for a custom fit to Recteq brand grill models (ie DeckBoss, Backyard Beast, Flagship, XL, & DualFire).



**STEP 2:** Prep Grill for Install (Image A)

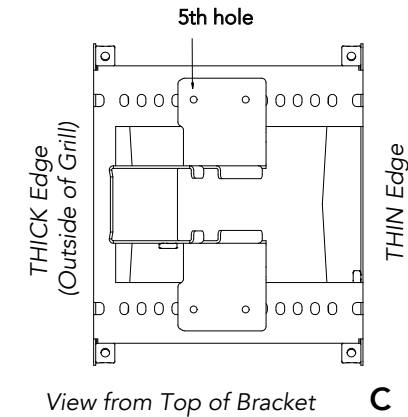
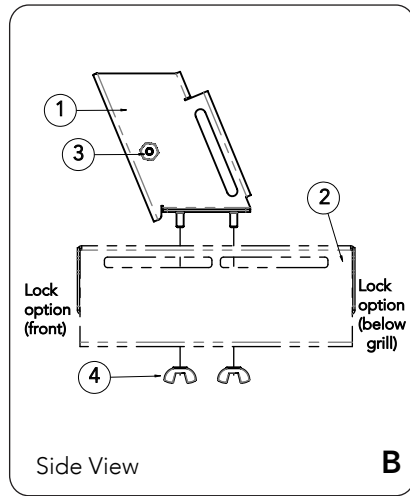
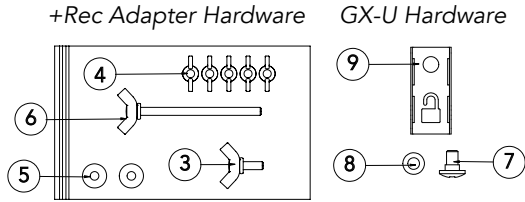
Make sure grill is turned off & cooled.  
 Remove grease bucket. Clean grease spout and grill area.



**STEP 3:** Add RecAdapter to GX-U Bracket (Image B & C)

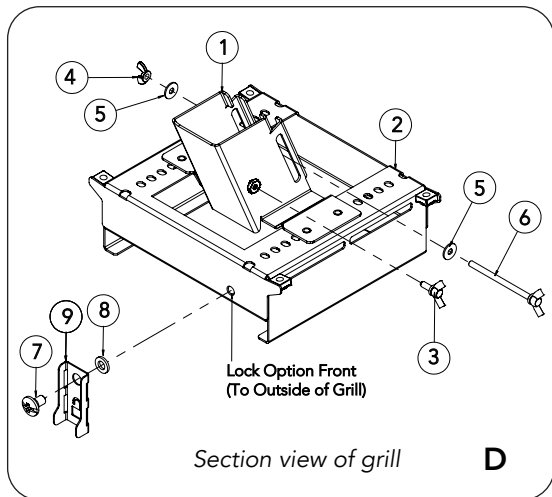
Line up RecAdapter (#1) on top of GX-U Universal Bracket (#2) in the 5th & 8th hole and use Nuts (#4) below to secure to Bracket.

*Note: Due to variability in grease spout, placement can vary.*



**STEP 4:** Add Lock & Set Screw (Image D)

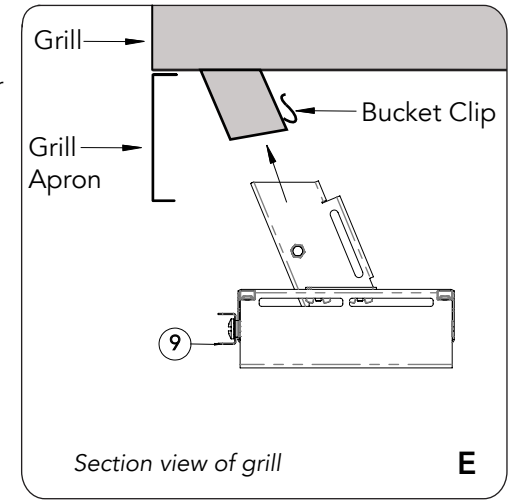
Install Lock on preferred side with Shoulder Screw (#7), Lock (#9), then High Heat Washer (#8). Tighten Lock further to reduce swivel.



**STEP 5:** (Image D & E)

Attach the combined GX-U + Rec Adapter Bracket to the Grill by sliding over the Grease Spout.

Slide Bolt Pin (#6) with Washer (#5) through slot of +Rec Adapter (#1). On opposite side, add Washer (#5) & Nut (#4) and begin to tighten by hand.



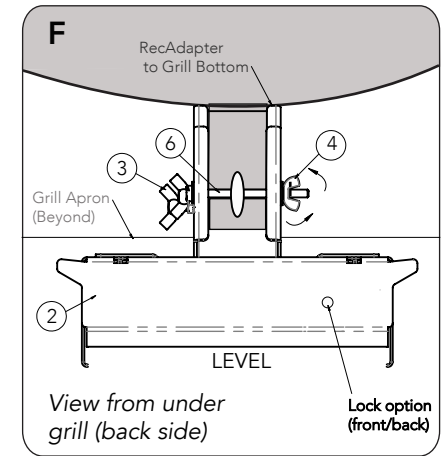
**STEP 6:** (Image D & F)

When Semi-Fastened, slide bracket all the way up to the grill bottom.

Use Level. Make adjustments in levelness in the Bracket as needed by adding the Side Set Screw (#3) into the preferred side weld nut. Then, synch tight the Slide Bolt & Side Set Screw (#3) to the spout.

When Bracket (#2) is level, secure and does not move, proceed to Step 7

Tip: Look at grill apron from outside of grill to help determine levelness.



**STEP 7:** Add a Liner (Image G)

**Recommended to Add a SBL-1 Silicone Box Liner** (#10) or a foil liner (Sold Separately) into the Lower Bucket for cleanliness prior to grilling.

Flip to Back Page for Final Step.

