

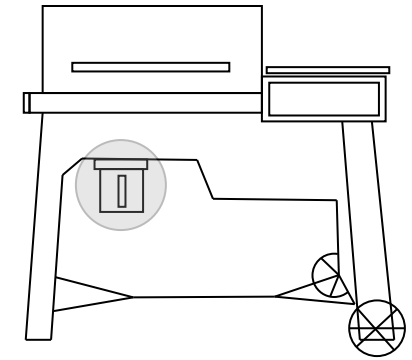
Cleanup & Maintenance:

It's recommended to empty grease contents after every use. Use care when opening or emptying The Grease Box as contents or the product may be HOT. We recommend using gloves when cleaning The Grease Box. After removing contents, rinse out with soap and warm water then hand dry only.

THE GREASE BOX

PATENT NUMBER 11812895

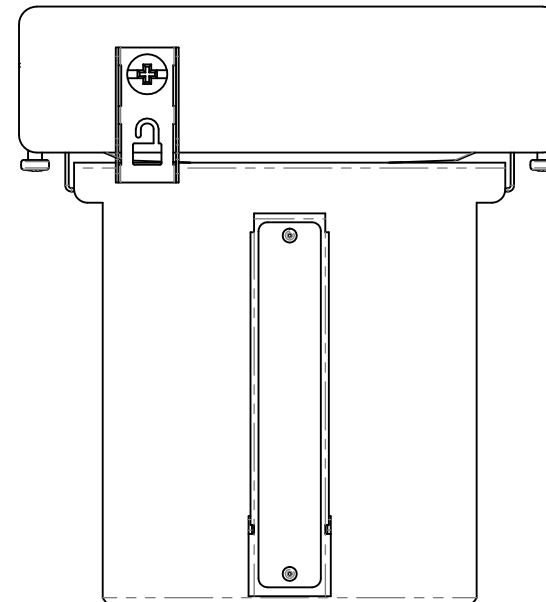
GX-T



Grease bucket replacement for Traeger Flatrock & Woodridge

Tools Recommended:

-Screwdriver



THE GREASE BOX LLC

Questions, comments or missing parts?

Contact us > support@thegreasebox.com

Register your products within 30 days of purchase for warranty.

WARNING: ATTACHING THIS PRODUCT MAY VOID THE WARRANTY TO YOUR OUTDOOR COOKING APPARATUS. THE GREASE BOX LLC IS NOT LIABLE FOR FAULTY INSTALLATIONS, IMPROPER MAINTENANCE, ANY DAMAGES OR ISSUES RESULTING FROM THE USE OF THE GREASE BOX ON THE COOKING APPARATUS.



WARNING: This product can expose you to chemicals including lead, which is known to the State of California to cause cancer and birth defects or other reproductive harm. For more information, go to www.p65warnings.ca.gov.

STEP 1: Confirm the fit

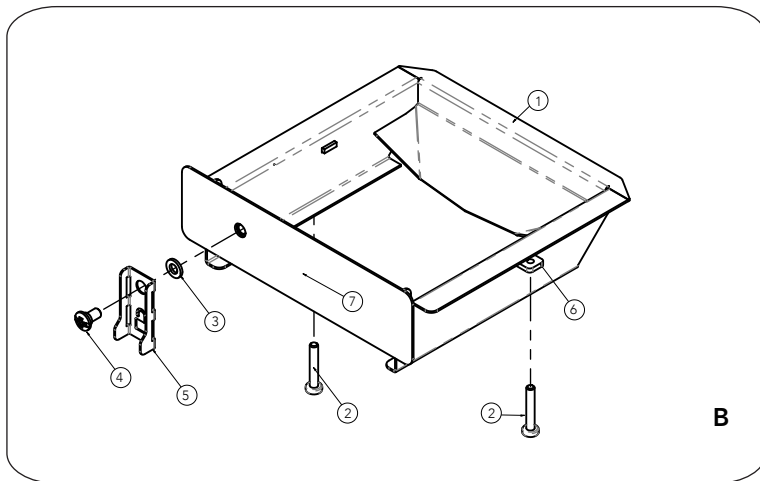
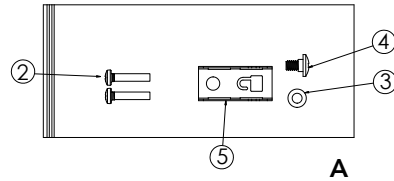
- Visit: thegreasebox.com/compatibility to check the fit
This installation manual is compatible with Traeger Flatrock & Woodridge grill models.



- Make sure grill is turned off & cooled.
- Remove existing grease bucket.
Clean the bottom of the grill area.

STEP 2: (Use Image A & B)

Add Lock (#5) to Mounting Upper Bracket (#1) in following order: Shoulder Screw (#4), Lock (#5) then High-Heat Plastic Washer (#3). Use screwdriver to install. Synch tighter to slow lock swivel.



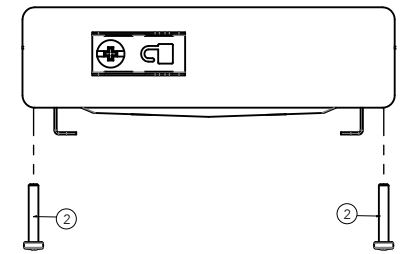
STEP 3: (Use Image B)

Slide in the Mounting Upper Bracket (#1) into existing grease bucket rails on bottom of the grill. Push all the way back.

STEP 4: (Use Image C)

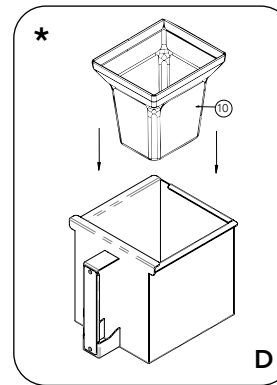
Thread Screws (#2) through the Weld Nuts (#6) on the side of Mounting Bracket (#1). Use a Screwdriver to advance Screws (#2) towards the grease bucket rails. Screws will tighten to rails and prevent movement.

Do not overtighten.



Front View

C



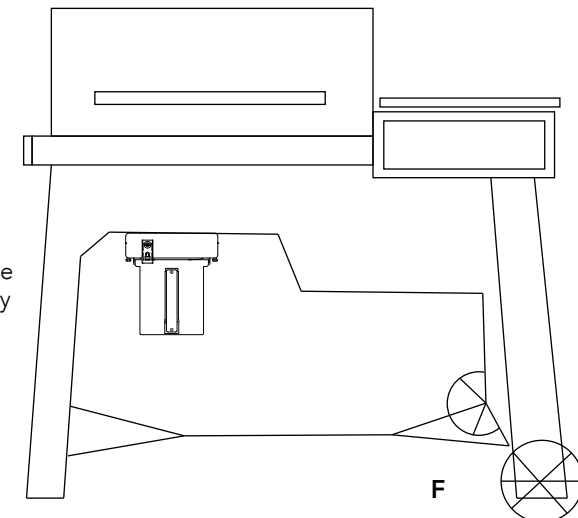
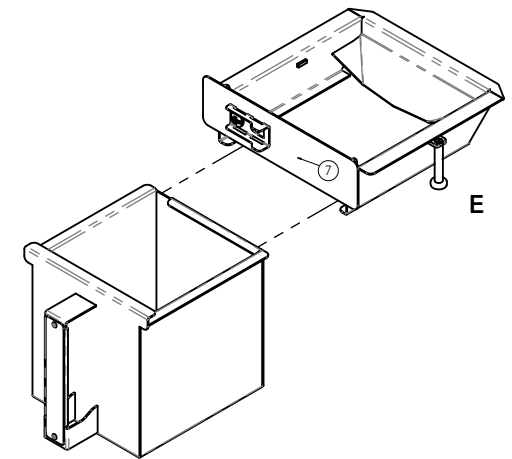
STEP 5: (Use Image D)

***Recommended:** add a SBL-1 Silicone Box Liner or foil liner into the Lower Bucket for cleanliness prior to grilling. Flip to Back Page for Info and Care & Use.

STEP 6: (Use Image E)

Slide lower bucket into The Grease Box drawer rails. Push it all the way back and rotate Lock (#5) down.

The Grease Box is fully installed, locked, and ready for its first cook.



F