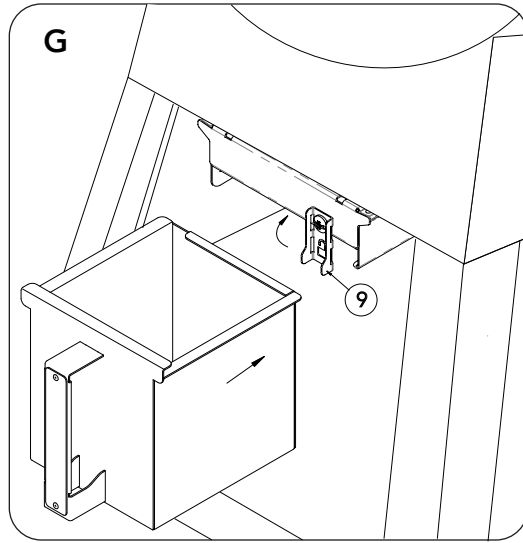


STEP 7: Add Lower Bucket
(Image G)

Rotate lock (#9) upwards.

Slide lower bucket into drawer rails. Push it all the way back and rotate Lock (#9) down.

The Grease Box is Fully installed, locked and ready for its first cook.



Cleanup & Maintenance:

It's recommended to empty grease contents after every use. Use care when opening or emptying The Grease Box as contents or the product may be HOT. We recommend using gloves when cleaning The Grease Box. After removing contents, rinse out with soap and warm water then hand dry only.

THE GREASE BOX LLC

Questions, comments or missing parts?

Contact us > support@thegreasebox.com

Register your products within 30 days of purchase for warranty.

WARNING: ATTACHING THIS PRODUCT MAY VOID THE WARRANTY TO YOUR OUTDOOR COOKING APPARATUS. THE GREASE BOX LLC IS NOT LIABLE FOR FAULTY INSTALLATIONS, IMPROPER MAINTENANCE, ANY DAMAGES OR ISSUES RESULTING FROM THE USE OF THE GREASE BOX.



WARNING: This product can expose you to chemicals including lead, which is known to the State of California to cause cancer and birth defects or other reproductive harm. For more information, go to www.p65warnings.ca.gov.

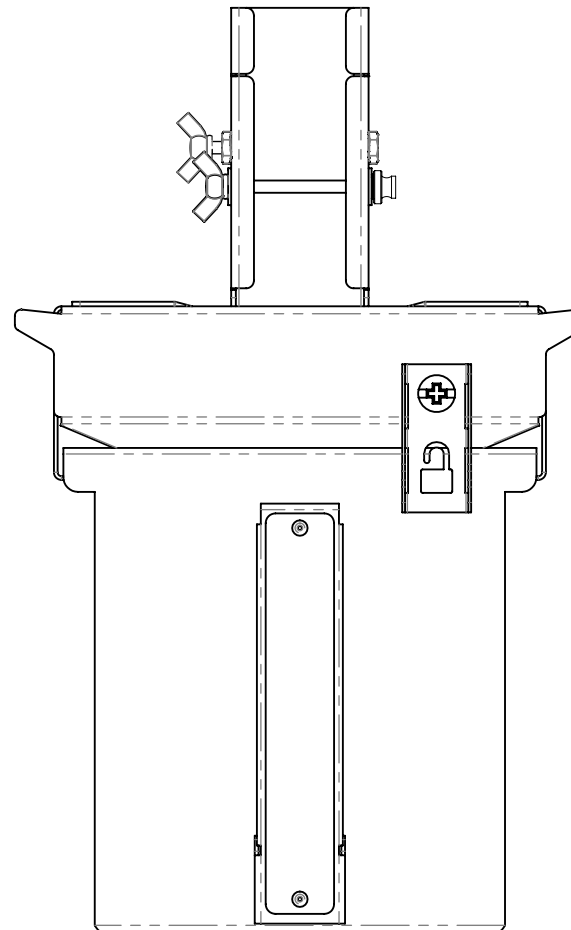
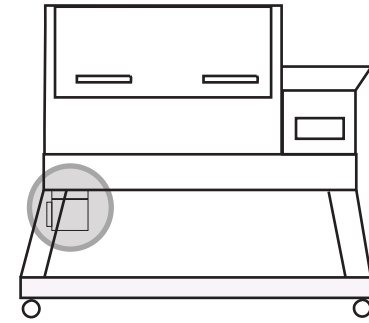
THE GREASE BOX

PATENT NUMBER 11812895

+Rec Adapter - XF

Compatible for Recteq X-Fire Pro

Install with The Grease Box GX-U for Undermount Grease Spout



Part Required:

-The Grease Box GX-U
(Sold Separately)

Tool Needed:

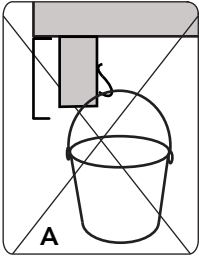
-Screwdriver



VIDEO INSTALLATION

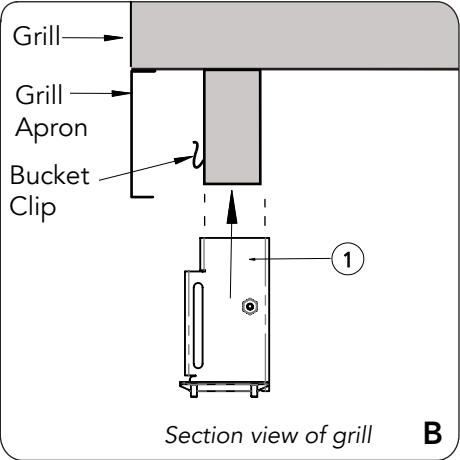
STEP 1: Confirm the fit

Visit: thegreasebox.com/compatibility to check the fit. This instruction manual is compatible for installing the **+ Rec Adapter- XF to The Grease Box GX-U Universal Bracket** (Sold Separately) compatible with Recteq X-Fire Pro grill model.

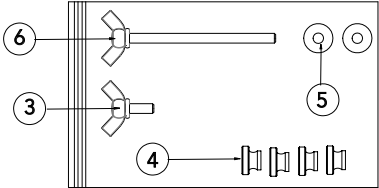


STEP 2: Prep Grill for Install (Image A)

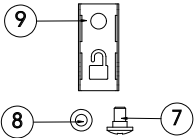
Make sure grill is turned off & cooled. Remove grease bucket. Clean grease spout and grill area.



+Rec Adapter-XF Hardware



GX-U Hardware

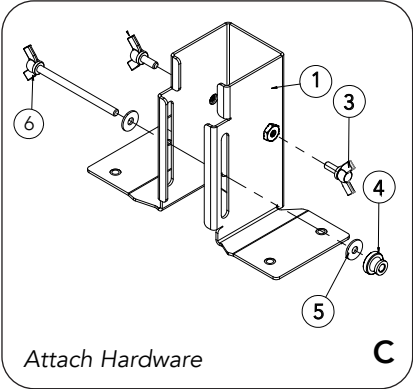


STEP 3: (Image B & C)

Attach the + Rec Adapter - XF (#1) to the Grill by sliding over the Grease Spout.

Slide the Bolt Pin (#6) with Washer (#5) into the linear slot of +Rec Adapter-XF (#1) through the bucket clip. On opposite side, add Washer (#5) & Nut (#4) and begin to tighten by hand. Before fully tightening, use side Wing Nut Screw (#3) to either side as needed for levelness.

Once the adapter is level, synch the screws tight to make a firm connection to the grease spout. When the +Rec Adapter -XF is securely mounted, move to the next step.



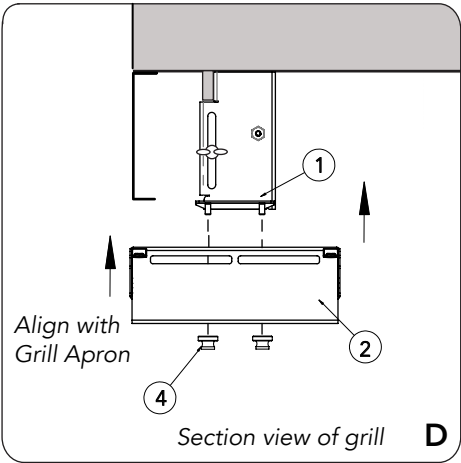
STEP 4: (Image D & E)

Align the GX-U Bracket (#2) with Grill Apron with the "Thick" edge facing outwards (E).

Raise GX-U Bracket (#2) upwards to line up the screw studs of the +Rec Adapter- XF (#1) through the corresponding holes of the bracket.

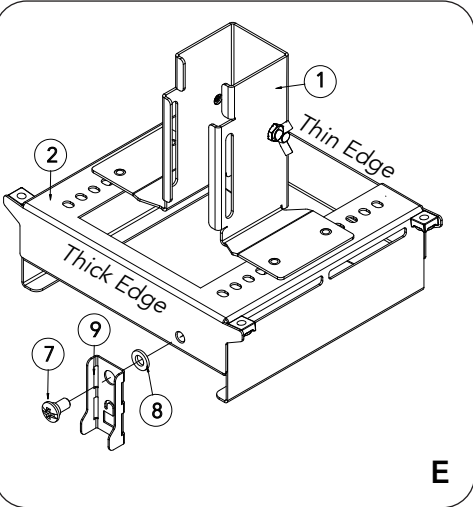
Note: Due to variability in grease spout, placement can vary.

The Grease Spout should be semi-centered within the bracket. Attach nuts (#4) from below (inside the bracket) onto the screw stud and tighten. Once attached, the assembly should not move.



STEP 5: (Image E)

Install Lock on preferred side with Shoulder Screw (#7), Lock (#9), then High Heat Washer (#8). Tighten Lock further to reduce swivel.



STEP 6: Add a Liner (Image F)

Recommended to Add a SBL-1 Silicone Box Liner (#10) or a foil liner (Sold Separately) into the Lower Bucket for cleanliness prior to grilling.

Flip to Back Page for Final Step.

