

ALTERNATE INSTALL: For Install WITH a Shut Off Valve (Image **G**)

If you chose to install The Grease Box with a Shut off Ball Valve, the handle must be in upwards position or modify handle to fit. Rotate the Shut off Valve until fully tight. Add Teflon tape as needed to the threaded nipple, then thread into the bottom of the Ball Valve.

The +Thread Adapter -L will now be inverted and installed within the Lower Bracket (#2), reference Image G. Adjust position for preferred placement then fully tighten all connections.

Note: (See Asterisk *) Shut off Ball Valves have a different lengths of handles and may need to be modified in length for clearance. Shut off Ball Valves can be purchased on our website: thegreasebox.com for the perfect fit.

Flip Back to Page 2 - **Step 6**, to continue install.

Cleanup & Maintenance:

It's recommended to empty grease contents after every use. Use care when opening or emptying The Grease Box as contents or the product may be HOT. We recommend using gloves when cleaning The Grease Box. After removing contents, rinse out with soap and warm water then hand dry only.

THE GREASE BOX LLC

Questions, comments or missing parts?

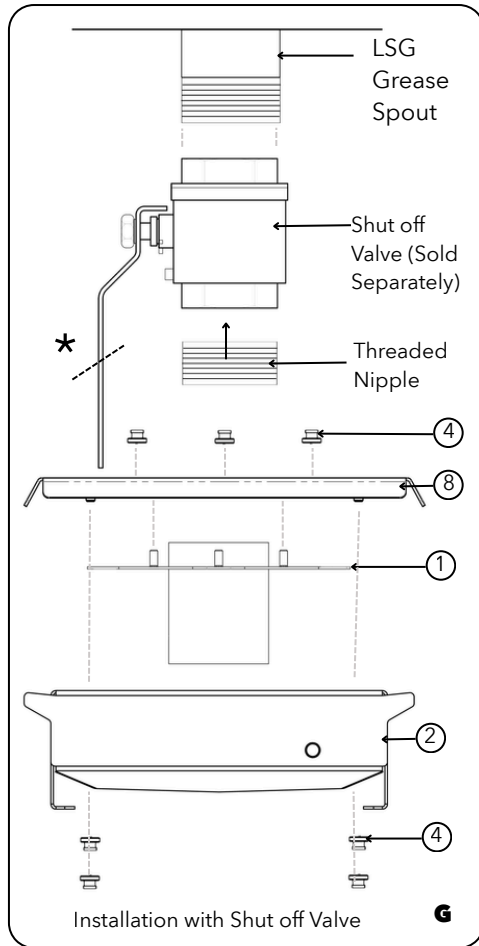
Contact us > support@thegreasebox.com

Register your products within 30 days of purchase for warranty.

WARNING: ATTACHING THIS PRODUCT MAY VOID THE WARRANTY TO YOUR OUTDOOR COOKING APPARATUS. THE GREASE BOX LLC IS NOT LIABLE FOR FAULTY INSTALLATIONS, IMPROPER MAINTENANCE, ANY DAMAGES OR ISSUES RESULTING FROM THE USE OF THE GREASE BOX.



WARNING: This product can expose you to chemicals including lead, which is known to the State of California to cause cancer and birth defects or other reproductive harm. For more information, go to www.p65warnings.ca.gov.



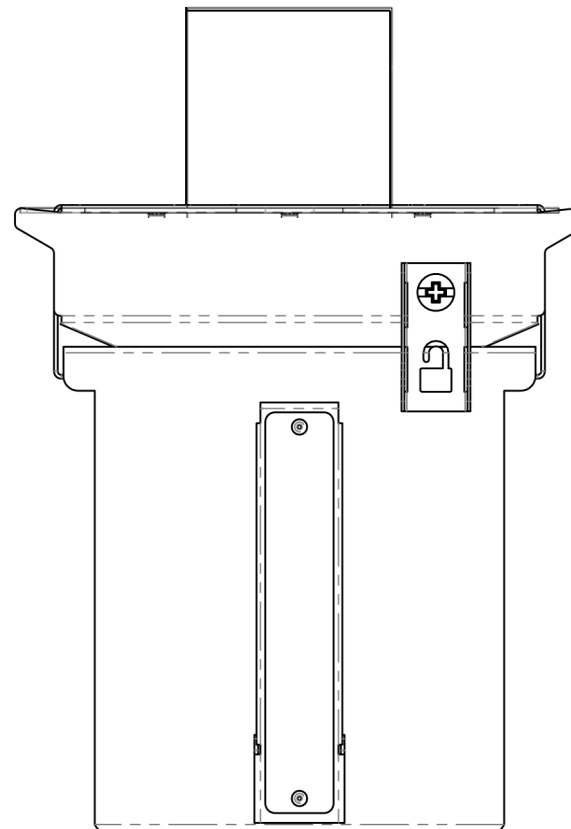
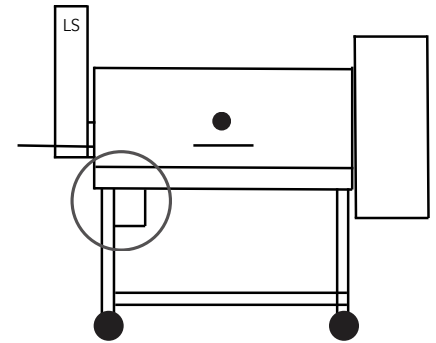
THE GREASE BOX

PATENT NUMBER 11812895

+THREAD ADAPTER- L

Compatible with Lone Star Grillz with Vertical Threaded Grease Spout

Install with The Grease Box GX-U (Sold Separately)



Part Required:

-The Grease Box GX-U (Sold Separately)

Tool Needed:

-Screwdriver



VIDEO INSTALLATION:

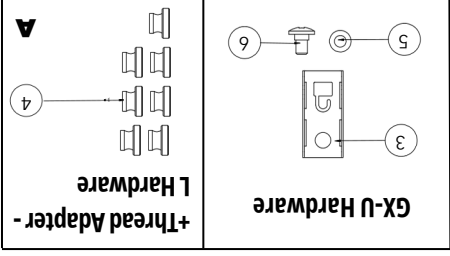


+Thread Adapter - L (No Valve)

STEP 1: Confirm the fit

Visit: thegreasebox.com/compatibility to check the fit. This instruction manual is for the Lone Star Grillz models with a Threaded Grease Spout underneath the grill using the **+Thread Adapter-L** to The Grease Box GX-U

Universal Bracket (Sold Separately).



STEP 2: Prep Grill for Install

Make sure grill is turned off & cooled. Remove grease bucket and any additional parts (like a Shut Off Valve or Cap). Clean grease spout and grill area.

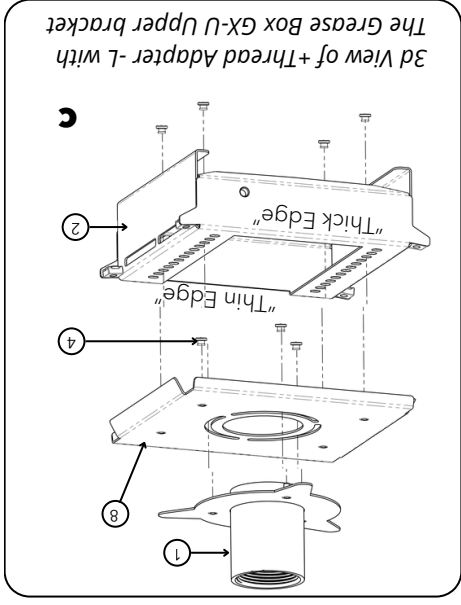
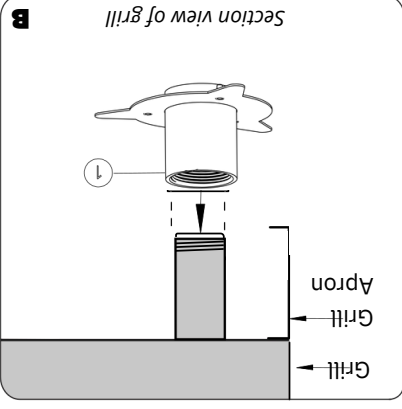
If you chose to install The Grease Box with a Shut off valve, flip to back page for alternate instructions.
For installation without a Shut off Valve, continue to Step 3.

STEP 3: (Image B & C)

Attach the + Thread Adapter - L (#1) to the threaded pipe and fully tighten by hand until the adapter does not move. Use Tephlon tape as needed.

STEP 4: (Image C & D)

Add the Cover Plate (#8) to the top of the Upper Bracket (#2) of the Grease Box GX-U with x4 Nuts (#4). Once attached, raise the Upper Bracket (#2) upwards to line up the screw studs of the +Thread Adapter-L (#1) through the circular slots of the bracket with the "Thick Edge" faced to the outside of the grill. Choose preferred placement and place x3 Nuts (#4).



STEP 5: (Image C & D)

Check the alignment of the bracket to the grill Apron, then fully tighten Nuts (#4).

Once attached, the assembly should not move.

STEP 6:

Install Lock on preferred side with Shoulder Screw (#6), Lock (#3), then High Heat Washer (#5) into the Screw hole on the preferred side of the grill.

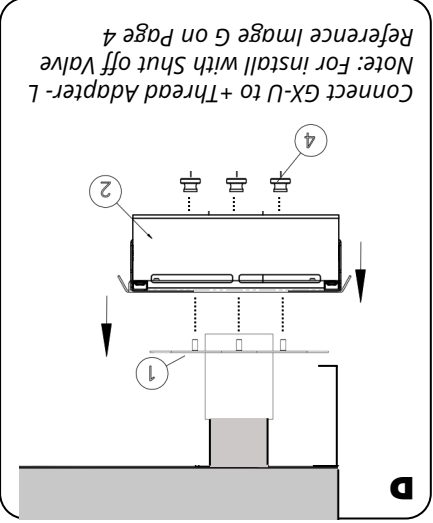
Tighten Lock further to reduce swivel. Recommended to Add a SBL-1 Silicone Box Liner (#7) or a foil liner (Sold Separately) into the Lower Bucket for cleanliness prior to grilling.

STEP 7: Add a Liner (Image E)

Rotate lock (#3) upwards. Slide lower bucket into drawer rails. Push it all the way back and rotate Lock Bracket (#2) upwards to line up the screw studs of the +Thread Adapter-L (#1) through the circular slots of the bracket with the "Thick Edge" faced to the outside of the grill. Choose preferred placement and place x3 Nuts (#4).

STEP 8: Add Lower Bucket (Image F)

Rotate lock (#3) upwards. Slide lower bucket into drawer rails. Push it all the way back and rotate Lock Bracket (#2) upwards to line up the screw studs of the +Thread Adapter-L (#1) through the circular slots of the bracket with the "Thick Edge" faced to the outside of the grill. Choose preferred placement and place x3 Nuts (#4).



Connect GX-U to +Thread Adapter-L
Note: For install with Shut off Valve Reference Image G on Page 4

