



### Cleanup & Maintenance:

- It's recommended to empty grease contents after every use. Use care when opening or emptying The Grease Box as contents or the product may be hot. We recommend using gloves when cleaning The Grease Box. After removing contents, rinse out with soap and warm water then hand dry only.
- We offer a Silicone Box Liner (SBL-1) on our website for the Lower Bucket (#4) that is custom fitted and re-useable. The silicone liners are dishwasher safe after contents are removed.

### STEP 2B: Self-Tap Install Alternate

**Self-tapping screws (#7) are offered as an alternate mounting option for all grills but are REQUIRED for grills that have a removeable or smaller grease spout.**

Remove Mounting Screws (#2) from Mounting Plate (#1). Determine placement of Mounting Plate (#1) around the grease spout then hold securely against grill. Use drill to install the first Self-tap Screw (#7) through Pre-drilled Holes (#8) on back of the plate then make sure to level bracket prior to securing the remaining screws.



**FOR SELF- TAP INSTALL**

**Flip back to page 2 and continue install with STEP 3**

## THE GREASE BOX LLC

Questions, comments or missing parts?

Contact us > [support@thegreasebox.com](mailto:support@thegreasebox.com)

Register your products within 30 days of purchase for warranty.

**WARNING:** ATTACHING THIS PRODUCT MAY VOID THE WARRANTY TO YOUR OUTDOOR COOKING APPARATUS. THE GREASE BOX LLC IS NOT LIABLE FOR FAULTY INSTALLATIONS, IMPROPER MAINTENANCE, ANY DAMAGES OR ISSUES RESULTING FROM THE USE OF THE GREASE BOX ON THE COOKING APPARATUS.



**WARNING:** This product can expose you to chemicals including lead, which is known to the State of California to cause cancer and birth defects or other reproductive harm. For more information, go to [www.p65warnings.ca.gov](http://www.p65warnings.ca.gov).

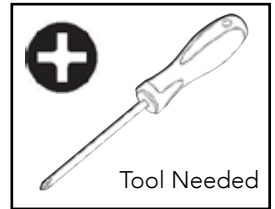
# THE GREASE BOX

PATENT NUMBER 11812895

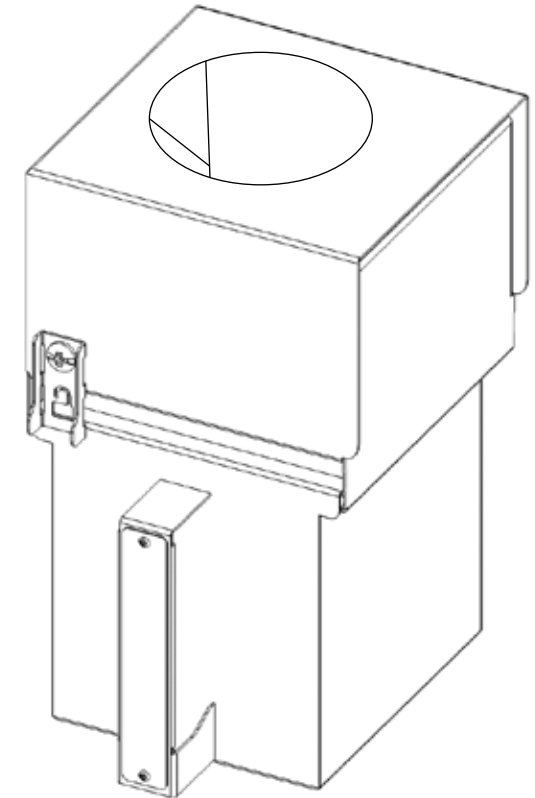
## GX-1

### SmokeMod

**FOR WOOD PELLETT GRILLS WITH A SIDE GREASE SPOUT & SMOKEBOX ACCESSORY**



**FOR STANDARD INSTALL**



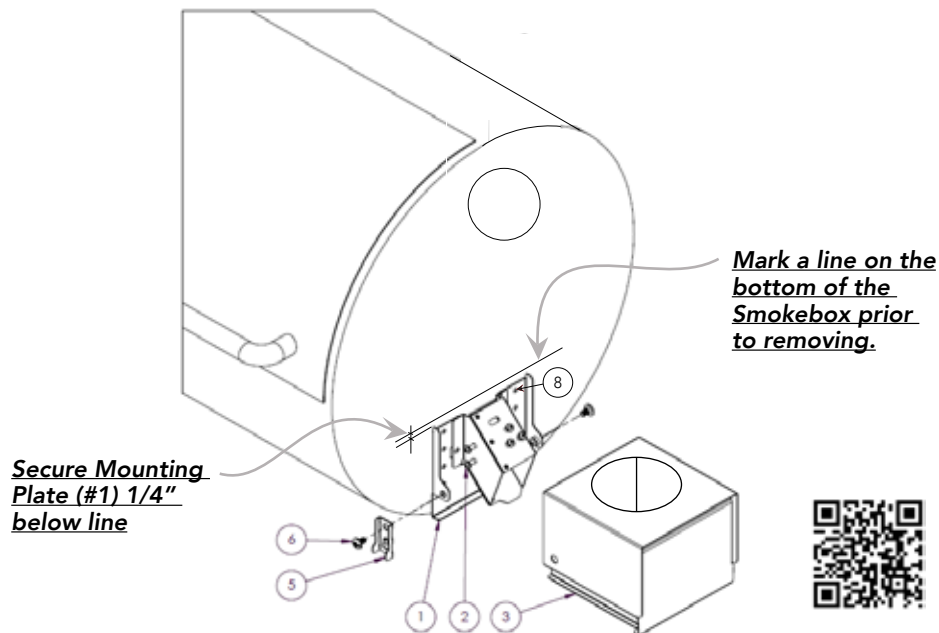
## STEP 1: PREPARATION

- Go to [THEGREASEBOX.COM](http://THEGREASEBOX.COM) to confirm compatibility to your grill. This instruction manual is for pellet grills with a side grease spout and Smokebox Accessory (for two grease spouts)
- Make sure grill is turned off and cooled then remove the grease bucket.
- Mark a line on the bottom of the Smokebox. Then, **REMOVE the SmokeBox Accessory** (GX-SmokeMod must be installed first). This will ensure Mounting Plate (#1) can be properly mounted flush to the side of the grill.
- Clean the grease spout and grill area.

## STEP 2: CHOOSE METHOD OF INSTALL

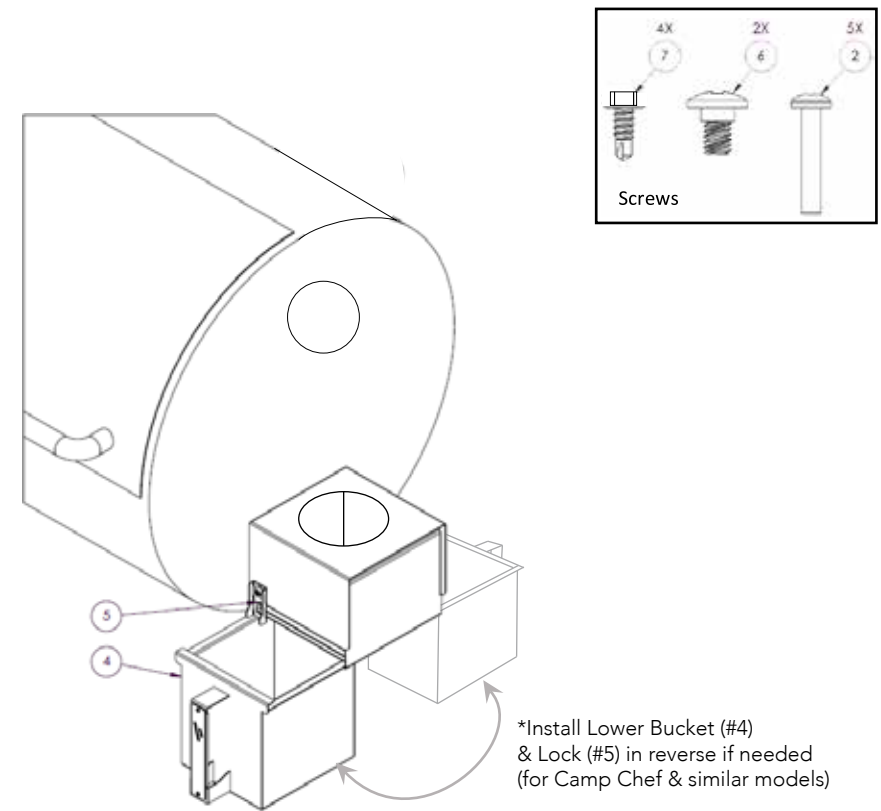
### 2A) Standard Install (continue below) OR 2B) Self-Tap Install (Flip to page 4)

- Place Mounting Plate (#1) around grill spout **1/4" below** the line marked in previous step. Hold it tight to grill. Using a screwdriver, tighten all Mounting Screws (#2) to make a firm connection with the grill. If spout is too short or screws do not reach, use **STEP 2B: Self-Tap method on page 4**. Confirm the bracket is level and flush to grill.



## STEP 3: PLACE TOP COVER

- Hang Top Cover (#3) on Mounting Plate (#1) by aligning the edges, pushing the Top Cover back tight to the grill and lower it down until it hooks onto the Mounting Plate (#1). If done correctly, it will be level, semi-locked into position and the screws threads will align in the openings.



## STEP 4: ADD LOWER BUCKET

- Fully lock Top Cover (#3) into position using both Shoulder Screws (#6) and attach the Lock (#5) on preferred side (either front or back)\*. The Lock will swivel to allow drawer to slide in.
- Recommended: Add a SBL-1 silicone box liner** into the Lower Bucket for cleanliness prior to grilling (Sold separately).
- Take the Lower Bucket (#4) and slide into drawer rails as shown above. Push it all the way back and rotate Lock (#5) down.
- At this point The Grease Box is fully installed.

## STEP 5: REINSTALL SMOKEBOX

- Reinstall the Smokebox accessory back onto the side of the grill. Make sure to line up the drain hole of the SmokeBox into the GX-SmokeMod top opening.