

VIDEO INSTALLATION GUIDE:

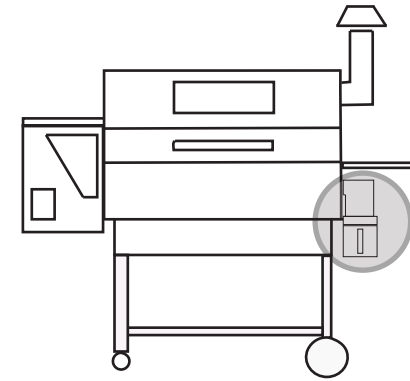
Find the video installation guide by going to THEGREASEBOX.COM , or by scanning QR code.



THE GREASE BOX

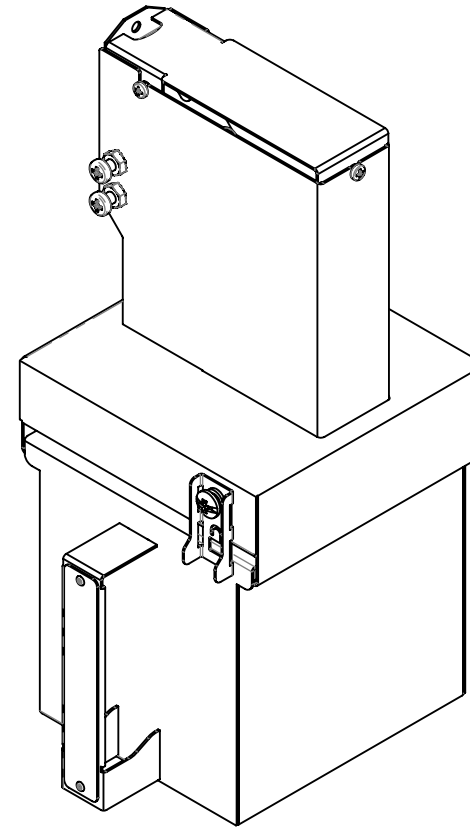
PATENT NUMBER 11812895

GX-G



“SLIM FIT” FOR WOOD PELLET GRILLS WITH SIDE MOUNT GREASE SPOUTS

Installation guide



Tool Recommended:

-Screwdriver
(Do Not Use Drill)



THE GREASE BOX LLC

Questions, comments or missing parts?
Contact us > support@thegreasebox.com

Register your products within 30 days of purchase for warranty.

WARNING: Attaching this product may void the warranty to your outdoor cooking apparatus. THE GREASE BOX LLC is not liable for faulty installations, improper maintenance, any damages or issues resulting from the use of The Grease Box on the cooking apparatus.



WARNING: This product can expose you to chemicals including lead, which is known to the State of California to cause cancer and birth defects or other reproductive harm. For more information, go to www.p65warnings.ca.gov.



VIDEO INSTALLATION

STEP 1: Confirm the fit

Visit: thegreasebox.com/compatibility to check the fit.

The GX-G is for Wood Pellet Grill models with a side grease spout needing a "Slim Fit". Compatible with Green Mountain Grills, Camp Chef, Camp Chef Sidekick* (on select models) & others.



STEP 2:

Make sure grill is turned off & cooled.

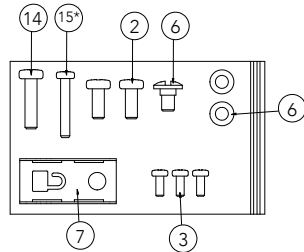
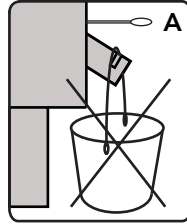
STEP 3: (Image A & B)

Remove grease bucket and any potential interferences including side shelf (#10), shelving support (#11) and accessories (eg: side burners) for proper install.

Clean grease spout and grill area.

Note: Green Mountain Grill Shelf & shelving support can remain on if they are held in the upwards position for duration of install. Do not install with support shelving hanging downwards.

NOTE: *Additional Side accessories may need to be Installed with +Adapter - WP



Self-Tap Screw provided for hole #12, only if needed or preferred.

STEP 4: INSTALL (Use Image B)

Add Screws (#2) & (#14) to Top Hat.

Note: Alternate Screw (15*) is ONLY for Top Weld Nut (#13) for grills with a short grease spout.

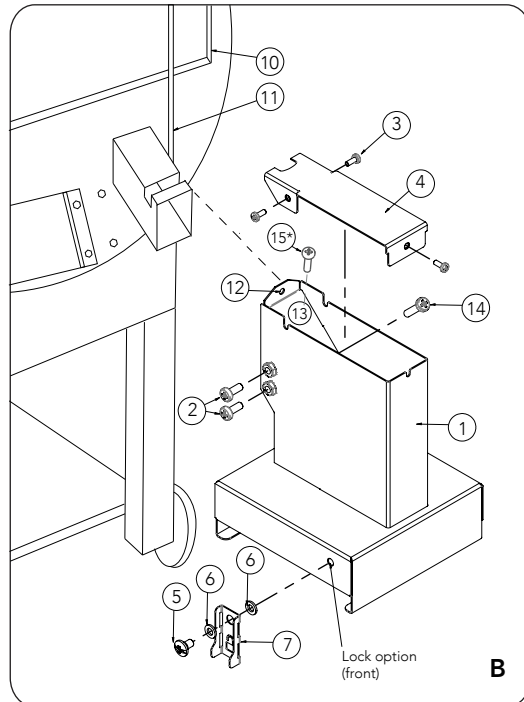
Slide Top Hat (#1) over the grease spout. Make sure the Top Hat sits flush against the side of the grill.

While pushing upwards, use a Screwdriver to hand tighten Screws (#2) and (14 or 15*) to the grease spout.

Alternate between each screw making sure the screws arrive at the spout at the same time.

If screws are uneven, the Top Hat (#1) will not sit flush to grill.

Make adjustments as needed. Then, synch screws tight. When complete, the Top Hat (#1) should be level and not move.

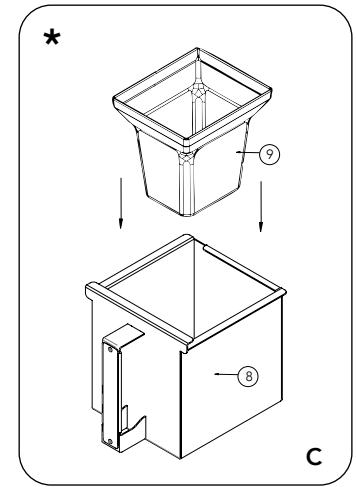


STEP 4: CONTINUED (Image B)

Choose Lock (#7) placement location (Front or Back). Attach in order: Shoulder Screw (#5), Washer (#6), Lock (#7), Washer (#6). Then, advance into screw hole on lower portion of Top Hat (#1) until tight. Synch tighter to reduce swivel of Lock (#7).

Set Top Cover Plate (#4) within opening of Top Hat (#1). Secure in place with Screws (#3). **If installing with a side accessory, Top Plate is optional to prevent interference.**

***Recommended:** (Image C)
Add SBL-1 Silicone Box Liner (#9) or foil liner (Sold Separately) into the Lower Bucket (#8) for cleanliness prior to grilling.



STEP 5: ADD LOWER BUCKET (Image D)

Swivel Lock (#7) upwards.

Slide the Lower Bucket (#8) into drawer rails as shown. Push it all the way back and rotate Lock (#7) down.

STEP 6: RE-INSTALL ACCESSORIES AND/OR SIDE SHELF

After install of The Grease Box, re-install side shelf (#10) and shelving support (#11) and/or accessories back into its place.

At this point The Grease Box is fully installed and ready for use.

