

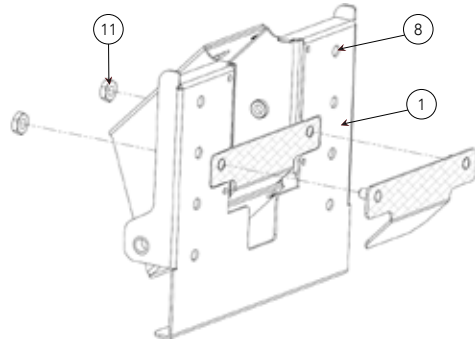
**STEP 1A: ONLY For Compact grease spouts (grills listed in grey table below)**

If your grill model is listed below, Install CGSA-1 adapter (sold separately) on Mounting Plate (#1) with included Nuts (#11) using a 5/16" driver bit then continue with **STEP 1**.

**Compact Grill models:**

<b>Traeger</b>	-Tailgater -Brunson -Junior 20
<b>Pit Boss</b>	-Lexington / 500 -Mahogany 440D -Tailgater -440FB1
<b>Recteq</b>	-Patio Legend 410 -Road Warrior 340

For other similar grill models, see compatibility tab on website or contact us by email below



Self-tap installation is **REQUIRED** for grills with a compact or smaller grease spout.

**STEP 2B: Self-Tap Install Alternate**

Self-tapping screws (#7) are offered as an alternate mounting option for all grills but are **REQUIRED** for grills that have a removable or smaller grease spout. The grills listed in grey table above require a CGSA-1 adapter prior to self-tap.

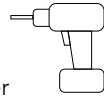
Remove Mounting Screws (#2) from Mounting Plate (#1). Determine placement of Mounting Plate (#1) around the grease spout then hold securely against grill. Use drill to install the first Self-tap Screw (#7) through Pre-drilled Holes (#8) on back of plate then make sure to level bracket prior to securing the remaining screws.

**Flip back to page 2 and continue install with STEP 3**

**FOR SELF- TAP INSTALL**

Tools Needed

- Drill
- 5/16" driver



**THE GREASE BOX LLC**

Questions, comments or missing parts?

Contact us > [support@thegreasebox.com](mailto:support@thegreasebox.com)

Register your products within 30 days of purchase for warranty.

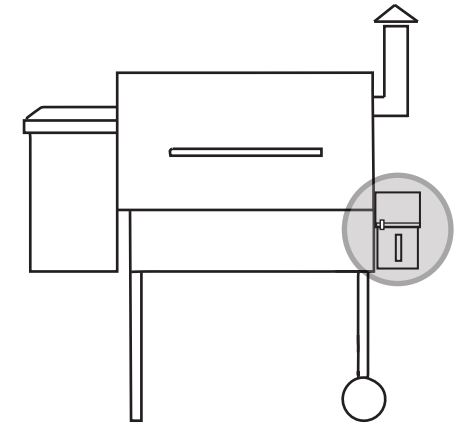
**WARNING:** ATTACHING THIS PRODUCT MAY VOID THE WARRANTY TO YOUR OUTDOOR COOKING APPARATUS. THE GREASE BOX LLC IS NOT LIABLE FOR FAULTY INSTALLATIONS, IMPROPER MAINTENANCE, ANY DAMAGES OR ISSUES RESULTING FROM THE USE OF THE GREASE BOX ON THE COOKING APPARATUS.



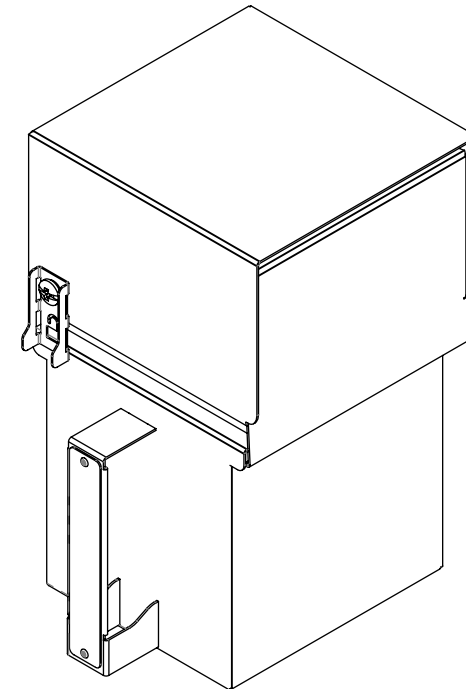
**WARNING:** This product can expose you to chemicals including lead, which is known to the State of California to cause cancer and birth defects or other reproductive harm. For more information, go to [www.p65warnings.ca.gov](http://www.p65warnings.ca.gov).

# THE GREASE BOX GX-1

PATENT NUMBER 11812895



**FOR WOOD PELLET GRILLS WITH SIDE GREASE SPOUTS**



**TOOL REQUIRED FOR STANDARD INSTALL:**



**EASY  
5 - 10  
MINUTE  
INSTALL**



**VIDEO INSTALLATION GUIDE:**

Find the video installation guide by going to [THEGREASEBOX.COM](http://THEGREASEBOX.COM), or by scanning QR code.

## STEP 1: PREPARATION

- Go to [THEGREASEBOX.COM](http://THEGREASEBOX.COM) to confirm compatibility to your grill.  
Note: Some grills models with compact grease spouts require an **adapter** (Page 4 - **STEP 1A**).
- Make sure grill is turned off and cooled.
- Remove the Grease Bucket and clean entire grill area.



## STEP 2: CHOOSE METHOD OF INSTALL

**2A) Standard Install** (Continue Below)    **OR**    **2B) Self-Tap Install** (Flip to page 4)

Separate the Mounting Plate (#1) from the Top cover (#3) by removing Screws (#6). Adjust Screws (#2) on Mounting Plate (#1) as needed.

(Image A)  
Place Mounting Plate (#1) over grease spout, applying upward pressure to the left to hold it tight to grill. Bracket should be flush to the side of the grill.

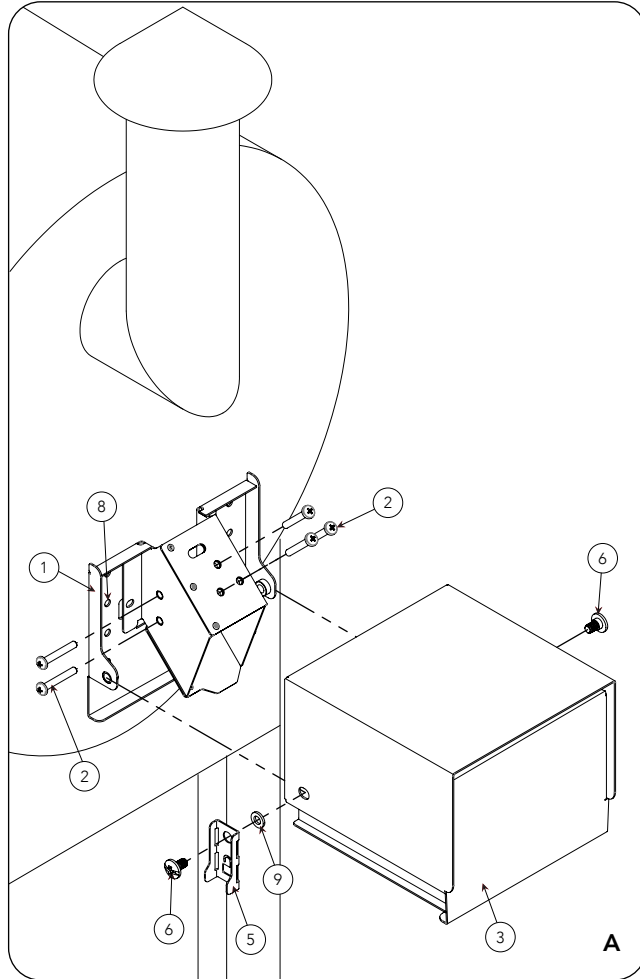
Use a screwdriver to tighten all Mounting Screws (#2) by rotating between each screw so they advance evenly. Make a firm connection with the grease spout.

Make sure bracket is level and secure.

If spout is too short or screws do not reach, use **STEP 2B: Self-Tap** method on page 4.

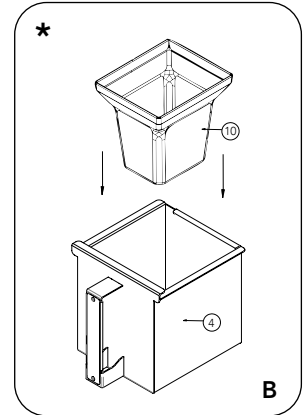
## STEP 3: PLACE TOP COVER

Hang Top Cover (#3) on Mounting Plate (#1) by aligning the edges from above, pushing the Top Cover back tight to the grill and lower it down until it hooks onto the Mounting Plate (#1). If done correctly, it will be level, semi-locked into position, and the screws threads for Screws (#6) will align in the opening.



## STEP 4: (Image B)

**\*Recommended :** Add a **SBL-1 Silicone Box Liner** (#10) or a foil liner into the Lower Bucket (#4) for cleanliness (Sold separately).



## STEP 5: ADD LOCK & SECURE TOP

(Image A & C)  
Install the lock in following order: Shoulder Screw (#6), Lock (#5) and High Heat Washer (#9) into the screw thread on the preferred side of grill (either front or back). Tighten Screw (#6) to reduce swivel of Lock (#5).

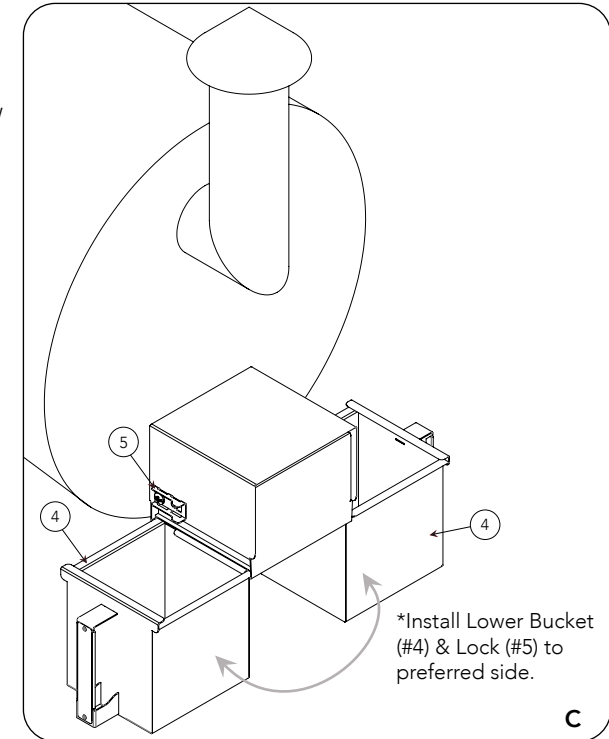
Leave Lock in upward position.

Add other Shoulder Screw (#6) to opposite side of Top Cover.

## STEP 6: FINISH INSTALL

Take the Lower Bucket (#4) and slide into drawer rails. Push it all the way back and rotate Lock (#5) down.

At this point The Grease Box is fully installed, locked, and ready for its first cook.



## Cleanup & Maintenance:

- It's recommended to empty grease contents after every use. **Use care when opening or emptying The Grease Box as contents or the product may be hot.** We recommend using gloves when cleaning The Grease Box. After removing contents, rinse out with soap and warm water then hand dry only. Maintain The Grease Box with product-safe exterior lubricant.